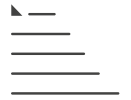


VALVES WITH FLANGED CONNECTIONS

Giacomini big size valves , with cast iron body and flanged connections, are suitable for a full range of solutions among heating, cooling and balancing systems.

They are designed for water applications And complete the family of Giacomini brass valves for high flow installation.

200 Valves with flanged connections



Energy Management



Radiant Systems



Water Management



Gas Distribution



Renewable Sources



Hydrogen Systems



Fire Protection

Valves with flanged connections

R206AF

PRODUCT CODE	SIZE		
R206AY306	DN65	1	-
R206AY308	DN80	1	-
R206AY310	DN100	1	-
R206AY312	DN125	1	-
R206AY315	DN150	1	-

ACTUATORS FOR R206AF PRESSURE INDEPENDENT CONTROL VALVE WITH FLANGED CONNECTIONS

K274Y301	24 V - DN65 DN80	1	-
K274Y302	24 V - DN100 DN150	1	-



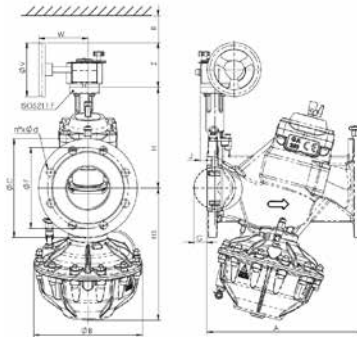
Pressure independent control valve (PICV) with flanged connections. It is suitable to be integrated in automated building management system. Compensating the pressure variations and keeping constant the system performance in case of load changes, assures an improvement of environmental comfort as well as a pumping cost reduction. The valve could be equipped with an actuator for proportional or 3-points control; manually operated version can be supplied as well.

INFO

R206AF flanged valves are available by checking the conditions of supply with our sales managers.

PERFORMANCE

- Fluids: water, water-glycol mix (max. 50 % glycol)
- Working temperature range: -10÷120 °C
- Max. static pressure: 16 bar
- Max. differential pressure: 4 bar



PRODUCT CODE	A	H	H1	B	S	J	G	C	F	n x D	W	Z	V	R
R206AY306	290	205	217	200	14,8	15	17	185	145	4 x 18	98	100	120	>100
R206AY308	310	214	281	242	14,8	15	25	200	160	8 x 18	99	100	120	>100
R206AY310	350	224	295	242	14,8	15	30	220	180	8 x 18	101	100	120	>100
R206AY312	400	272	317	242	14,8	28	46	250	210	8 x 18	103	100	120	>100
R206AY315	480	301	341	242	14,8	28	56	285	240	8 x 22	105	100	120	>100

R206BF

PRODUCT CODE	SIZE		
R206BY205	DN50	1	-
R206BY206	DN65	1	-
R206BY208	DN80	1	-
R206BY210	DN100	1	-
R206BY212	DN125	1	-
R206BY215	DN150	1	-
R206BY220	DN200	1	-
R206BY225	DN250	1	-
R206BY230	DN300	1	-



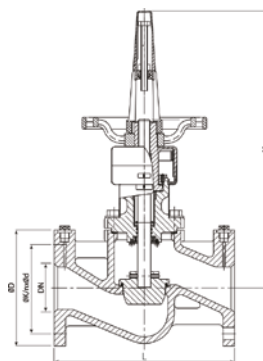
Cast iron static balancing valve. With stainless steel disc, flanged connections and 1/4" F plug for differential pressure measure. Suitable for application with water -10÷120 °C, PN16.

INFO

R206BF flanged valves are available by checking the conditions of supply with our sales managers.

MAX. WORKING CONDITIONS WITH WATER

- Max. working temperature: 120 °C
- Nominal pressure: 16 bar
- Max. working pressure (continuous): 11 bar



PRODUCT CODE	L	h	ØD	ØK	n x Ød
R206BY205	230	280	160	125	4 x 18
R206BY206	290	365	185	145	4 x 18
R206BY208	310	395	200	160	8 x 18
R206BY210	350	430	220	180	8 x 18
R206BY212	400	495	250	210	8 x 18
R206BY215	480	530	285	240	8 x 22
R206BY220	600	665	340	295	8 x 22
R206BY225	730	600	405	355	12 x 22
R206BY230	850	685	460	410	12 x 26

R206CF

PRODUCT CODE	SIZE		
R206CY306	DN65	1	-
R206CY308	DN80	1	-
R206CY310	DN100	1	-
R206CY312	DN125	1	-
R206CY315	DN150	1	-
R206CY316	DN65	1	-
R206CY318	DN80	1	-
R206CY320	DN100	1	-



Differential pressure control valve DPCV with flanged connections.

The valves balance and control the differential pressure automatically and proportionally.

The valve balances the flow in the main network or in the single risers and branches of a heating/cooling system, controls and keeps the differential pressure over the load at a stable value, reducing the risk of noisiness and wear of the thermostatic control valves.

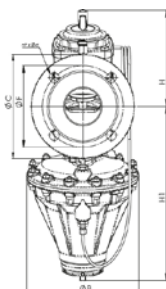
The regulation range of the differential pressure delivered is comprised between 0,2÷1,0 and 0,8÷1,6 bar for DN65-100 and between 0,2 and 0,8 bar for DN125-150.

INFO

R206CF flanged valves are available by checking the conditions of supply with our sales managers.

MAX. WORKING CONDITIONS WITH WATER

- Fluids: water, water-glycol mix (max. 50 % glycol)
- Max. working temperature: -10÷120 °C
- Max. working pressure: 16 bar
- Controllable diff. pressure range for DN65-100: 20÷100 kPa or 80÷160 kPa
- Controllable diff. pressure range for DN125-150: 20÷100 kPa



PRODUCT CODE	H	H1	B	c	F	n x D
R206CY306	170	310	200	185	145	4 x 18
R206CY316						
R206CY308	182	400	242	200	160	8 x 18
R206CY318						
R206CY310	200	414	242	220	180	8 x 18
R206CY320						
R206CY312	275	436	242	250	210	8 x 18
R206CY315	300	460	242	285	240	8 x 22

R55FL

PRODUCT CODE	SIZE		
R55FLY005	DN50	1	-
R55FLY006	DN65	1	-
R55FLY008	DN80	1	-
R55FLY010	DN100	1	-
R55FLY012	DN125	1	-
R55FLY015	DN150	1	-
R55FLY020	DN200	1	-
R55FLY025	DN250	1	-
R55FLY030	DN300	1	-



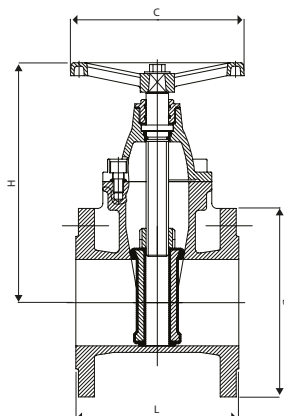
Gate valve with EPDM coated wedge.

MAX. WORKING CONDITIONS WITH WATER

- Max. working temperature: 100 °C
- Max. working pressure: 16 bar
- Max. working pressure (continuous): 11 bar

APPLICABLE EU DIRECTIVES

- Fluids of use: group 2 - liquid (2014/68/EU PED)



PRODUCT CODE	SIZE	L	H	D	C
R55FLY005	DN50	150	197	165	160
R55FLY006	DN65	170	228	185	200
R55FLY008	DN80	180	254	200	200
R55FLY010	DN100	190	281	220	200
R55FLY012	DN125	200	340	250	250
R55FLY015	DN150	210	378	285	250
R55FLY020	DN200	230	460	340	320
R55FLY025	DN250	250	563	400	366
R55FLY030	DN300	270	643	455	366

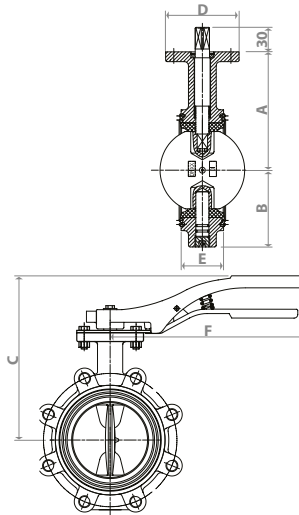
R59FL

BUTTERFLY VALVE WITH DUAL STEM - STAINLESS STEEL DISC

PRODUCT CODE	SIZE		
R59FLY004	DN40	1	-
R59FLY005	DN50	1	-
R59FLY006	DN65	1	-
R59FLY008	DN80	1	-
R59FLY010	DN100	1	-
R59FLY012	DN125	1	-
R59FLY015	DN150	1	-
R59FLY020	DN200	1	-
R59FLY025	DN250	1	-
R59FLY030	DN300	1	-

BUTTERFLY VALVE WITH DUAL STEM - NICKEL PLATED DUCTILE IRON DISC

PRODUCT CODE	SIZE		
R59FLX004	DN40	1	-
R59FLX005	DN50	1	-
R59FLX006	DN60	1	-
R59FLX008	DN80	1	-
R59FLX010	DN100	1	-
R59FLX012	DN125	1	-
R59FLX015	DN150	1	-
R59FLX020	DN200	1	-
R59FLX025	DN250	1	-
R59FLX030	DN300 *	1	-
R59FLX035	DN350 *	1	-
R59FLX040	DN400 *	1	-
R59FLX045	DN450 *	1	-
R59FLX050	DN500 *	1	-
R59FLX060	DN600 *	1	-



LUG type butterfly valve.

① INFO

* Butterfly valve with gear box - Nickel plated ductile iron disc.

MAX. WORKING CONDITIONS WITH WATER

- Max. working temperature: 120 °C
- Max. working pressure: 16 bar
- Max. working pressure (continuous): 11 bar

APPLICABLE EU DIRECTIVES

- Fluids of use: group 2 - liquid (2014/68/EU PED).

PRODUCT CODE	A	B	E	D	F	C
R59FLY004	140	63,5	34,5	90	260	217
R59FLY005	140	63,5	43	90	260	217
R59FLY006	152	76	45	90	260	229
R59FLY008	160	85	46	90	260	237
R59FLY010	180	100	51,5	90	260	257
R59FLY012	191	120	56	90	260	268
R59FLY015	202	132	56,5	90	260	279
R59FLY020	237	160	60	125	326	336
R59FLY025	274	200	68,5	125	416	376
R59FLY030	312	230	79,5	125	416	414

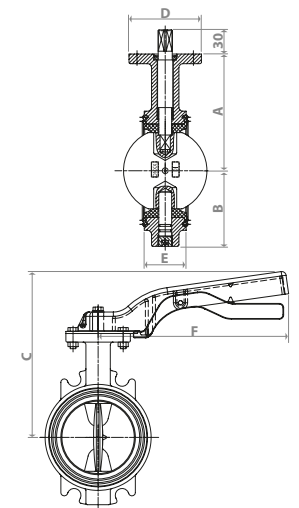
R59W

BUTTERFLY VALVE WITH DUAL STEM - STAINLESS STEEL DISC

PRODUCT CODE	SIZE		
R59WY004	DN40	1	-
R59WY005	DN50	1	-
R59WY006	DN65	1	-
R59WY008	DN80	1	-
R59WY010	DN100	1	-
R59WY012	DN125	1	-
R59WY015	DN150	1	-
R59WY020	DN200	1	-
R59WY025	DN250	1	-
R59WY030	DN300	1	-

BUTTERFLY VALVE WITH DUAL STEM - NICKEL PLATED DUCTILE IRON DISC

PRODUCT CODE	SIZE		
R59WX004	DN40	1	-
R59WX005	DN50	1	-
R59WX006	DN65	1	-
R59WX008	DN80	1	-
R59WX010	DN100	1	-
R59WX012	DN125	1	-
R59WX015	DN125	1	-
R59WX020	DN200	1	-
R59WX025	DN250	1	-
R59WX030	DN300	1	-
R59WX035	DN350 *	1	-
R59WX040	DN400 *	1	-
R59WX045	DN450 *	1	-
R59WX050	DN500 *	1	-
R59WX060	DN600 *	1	-



Wafer type butterfly valve.

① INFO

* Butterfly valve with gear box - Nickel plated ductile iron disc

MAX. WORKING CONDITIONS WITH WATER

- Max. working temperature: 120 °C
- Max. working pressure: 16 bar
- Max. working pressure (continuous): 11 bar

APPLICABLE EU DIRECTIVES

- Fluids of use: group 2 - liquid (2014/68/EU PED).

PRODUCT CODE	A	B	C	D	E	F
R59WY004	140	63,5	217	90	34,5	260
R59WY005	140	63,5	217	90	43	260
R59WY006	152	76	229	90	45	260
R59WY008	160	85	237	90	46	260
R59WY010	180	100	257	90	51,5	260
R59WY012	191	120	268	90	56	260
R59WY015	202	132	279	90	56,5	260
R59WY020	237	160	336	125	60	326
R59WY025	274	200	376	125	68,5	416
R59WY030	312	230	414	125	79,5	416

R60W

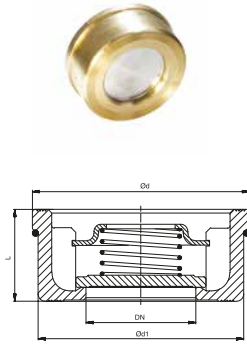
PRODUCT CODE	SIZE		
R60WY000	DN15	1	-
R60WY001	DN20	1	-
R60WY002	DN25	1	-
R60WY003	DN32	1	-
R60WY004	DN40	1	-
R60WY005	DN50	1	-
R60WY006	DN65	1	-
R60WY008	DN80	1	-
R60WY010	DN100	1	-

MAX. WORKING CONDITIONS WITH WATER

- Max. working temperature: 120 °C
- Nominal pressure: 16 bar
- Max. working pressure (continuous): 11 bar

APPLICABLE EU DIRECTIVES

- Fluids of use: group 2 - liquid and gases (2014/68/EU PED)



Brass body disc type check valve.

PRODUCT CODE	L	Ød	Ød1
R60WY000	16	40	15
R60WY001	19	47	20
R60WY002	22	56	25
R60WY003	28	72	32
R60WY004	31,5	82	39
R60WY005	40	95	48
R60WY006	46	115	64
R60WY008	50	132	74
R60WY010	60	152	89

R74OFL

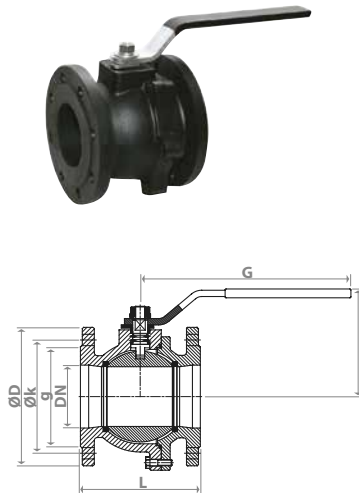
PRODUCT CODE	SIZE		
R74OFLY004	DN40	1	-
R74OFLY005	DN50	1	-
R74OFLY006	DN65	1	-
R74OFLY008	DN80	1	-
R74OFLY010	DN100	1	-
R74OFLY012	DN125	1	-
R74OFLY015	DN150	1	-
R74OFLY020	DN200	1	-

MAX. WORKING CONDITIONS WITH WATER

- Max. working temperature: 120 °C
- Max. working pressure: 16 bar
- Max. working pressure (continuous): 11 bar

APPLICABLE EU DIRECTIVES

- Fluids of use: group 2 - liquid (2014/68/EU PED)



Full bore ball valve with stainless steel ball.

PRODUCT CODE	L	Ød	ØK	g	H	G
R74OFLY004	140	150	110	84	120	190
R74OFLY005	150	165	125	99	130	260
R74OFLY006	170	185	145	118	140	260
R74OFLY008	180	200	160	132	155	335
R74OFLY010	190	220	180	156	170	335
R74OFLY012	325	250	210	184	190	335
R74OFLY015	350	285	240	211	245	700
R74OFLY020	400	340	295	266	280	700

R74FL

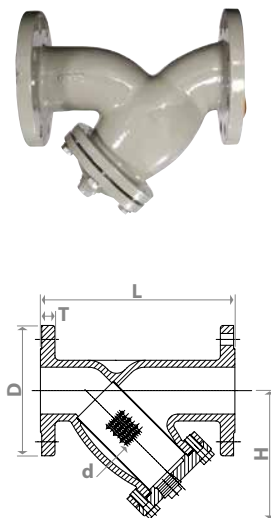
PRODUCT CODE	SIZE		
R74FLY005	DN50	1	-
R74FLY006	DN65	1	-
R74FLY008	DN80	1	-
R74FLY010	DN100	1	-
R74FLY012	DN125	1	-
R74FLY015	DN150	1	-
R74FLY020	DN200	1	-
R74FLY025	DN250	1	-
R74FLY030	DN300	1	-

MAX. WORKING CONDITIONS WITH WATER

- Max. working temperature: 120 °C
- Max. working pressure: 16 bar
- Max. working pressure (continuous): 11 bar

APPLICABLE EU DIRECTIVES

- Fluids of use: group 1 & 2 - liquid and gases (2014/68/EU PED)



Strainer with stainless steel screen, epoxy painted.

PRODUCT CODE	L	H	D	T	d	Pulg (BSPT)
R74FLY005	230	130	165	17	Ø 1,5	1/2"
R74FLY006	290	156	185	17	Ø 1,5	1"
R74FLY008	310	172	200	17	Ø 1,5	1"
R74FLY010	350	215	220	17	Ø 3	1"
R74FLY012	400	240	250	17	Ø 3	1 1/4"
R74FLY015	480	282	285	17	Ø 3	1 1/2"
R74FLY020	600	335	340	18	Ø 3	1 1/2"
R74FLY025	730	460	400	20	Ø 3	2"
R74FLY030	850	515	455	22,5	Ø 3	2"